

Maximatic® Filter-Regulator-Lubricators

#10-32 through 1" NPT ports available

Pressure Gauge allows for easy viewing

Large selection of convenient mounting hardware offered

All FRL components are a modular design which allow easy connection and disconnection of the components for simple installation and maintenance.

Die Cast Aluminum Body

Easy-to-view sight glasses standard on all metal bowls

Flow rates from 3 scfm to 280 scfm

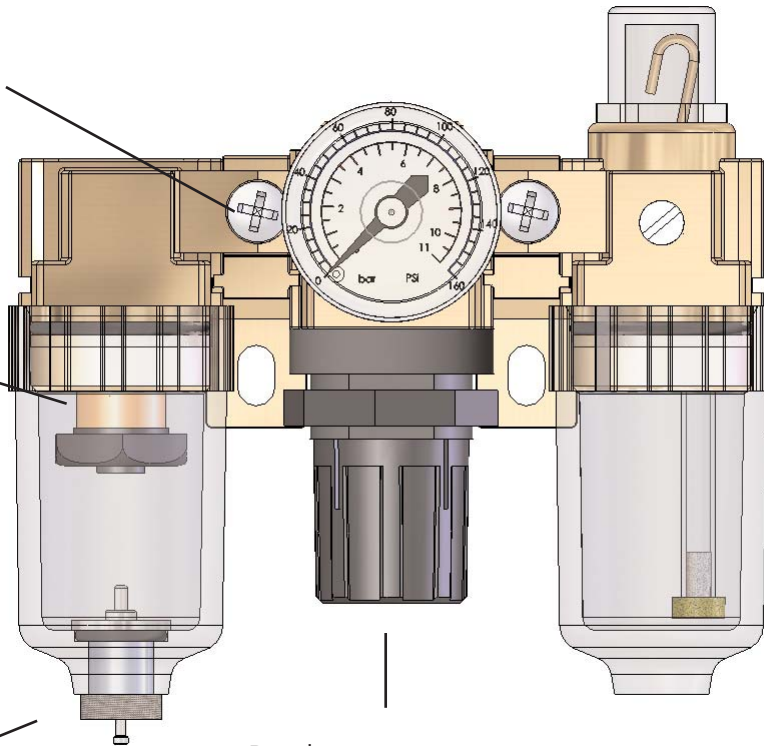
Lubricators increase component life by dispensing oil into the airline supply

25 micron filters standard, 5 micron optional

Filters prevent moisture and solid particulates from getting into compressed air lines

Semi-Automatic or Automatic Drain

Regulator ensures a constant downstream air line pressure



Polycarbonate bowls are standard on all filters and lubricators. Bowl shields are standard on MMF/MML-3/4/5 series. An optional metal bowl is available for filters and lubricators.

